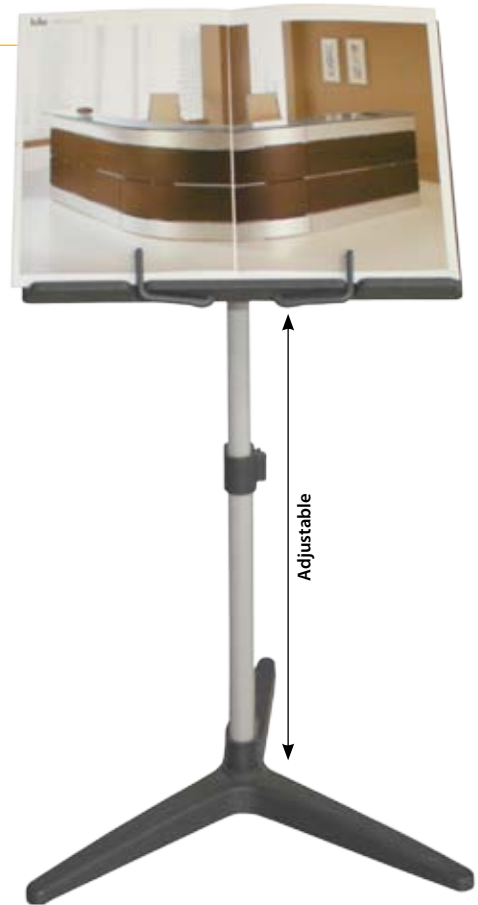
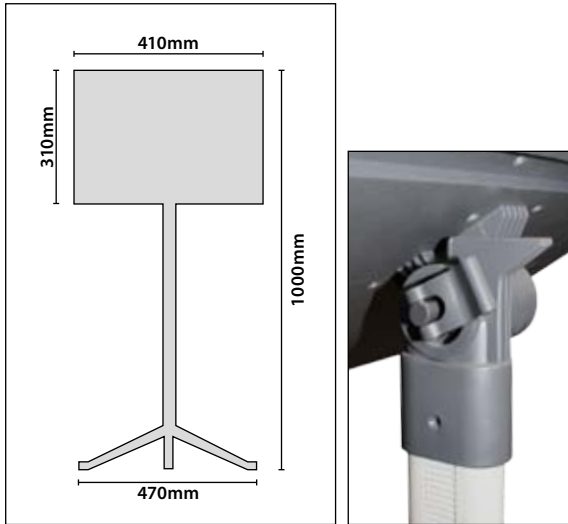


Miravalles

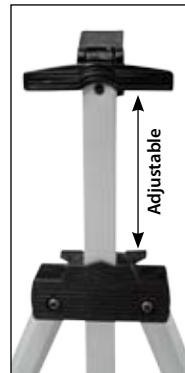
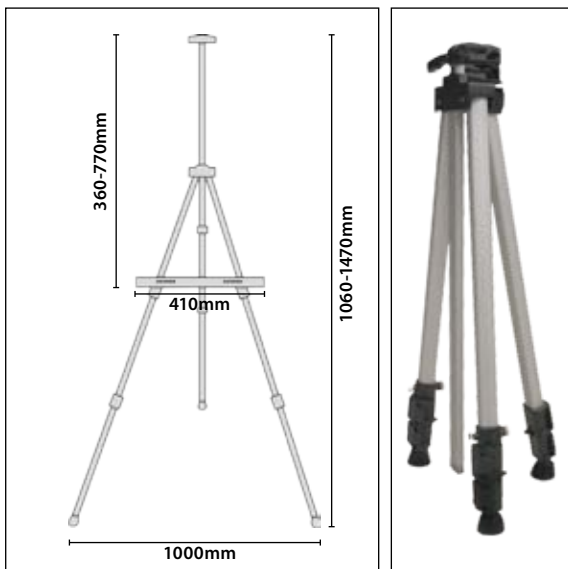


Extendible lectern for catalogues. Adjustable in height from 600mm to 900mm. Adjustable in angle from 0° to 90°. Height: 875mm.

Material: Aluminium, plastic.

10.052

Solana



* Frame not included.

Adjustable tripod support frame. Metal adjustable tripod easel. Bottom tray for boards, panels, frames.

Material: Aluminium, plastic.

10.816



MENU BOARD

3

Zafra



Menu board. Available in A3 and A4 sizes both in landscape and portrait positions. Plastic base.

Material: Aluminium, plastic parts.

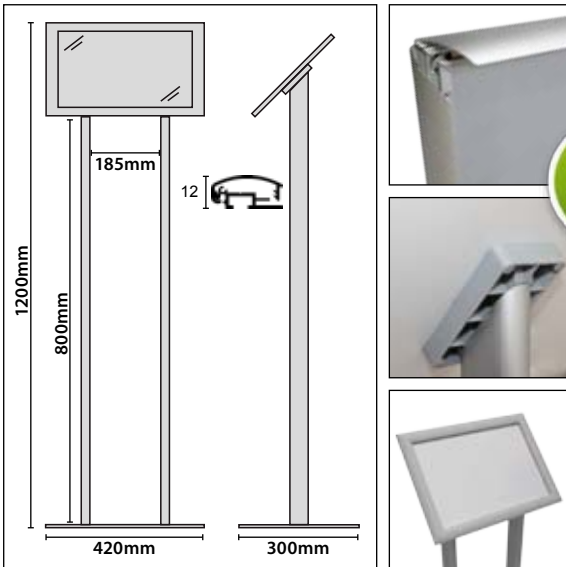
	QTY	N.W(kg)	G.W(kg)	C.B.M.	Size(mm)
Packing	1	0.75	0.85	0.0047	930x85x60
		1.65	1.76	0.0034	355X275X35

10.158 A4

10.159 A3



Ulster



Menu board. Available in A3 size in landscape position. Plastic base.

Material: Aluminium, plastic parts.

	QTY	N.W(kg)	G.W(kg)	C.B.M.	Size(mm)
Packing	2	5	5.3	0.006	480x365x35
		2.15	2.5	0.010	1170x145x60

10.982 A3



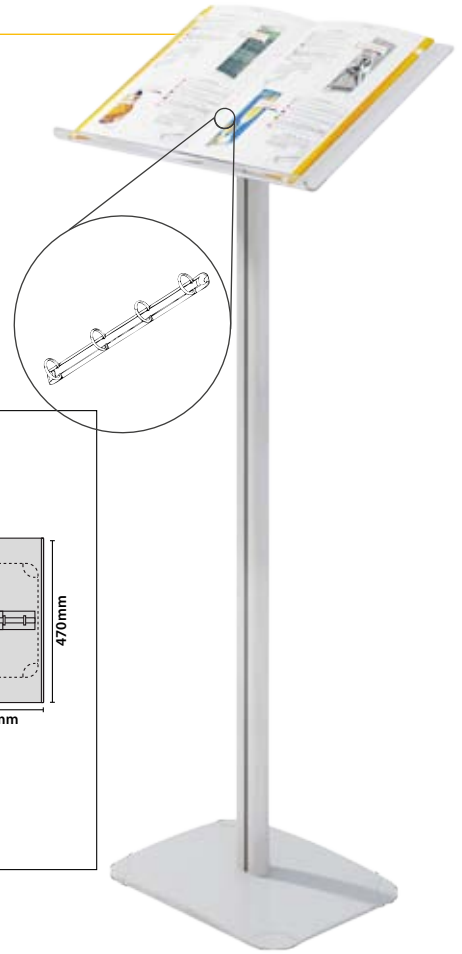
Sligo



10.983



10.984



Folder Menuboard with its transparent acrylic or metallic self. With a ring binder available to hold 2x A4 individual menu pages. With the usage of the channelled alips profile any acrylic or steel shelf, even a frame can let the product have advantages.

Material: Aluminium, plastic parts.

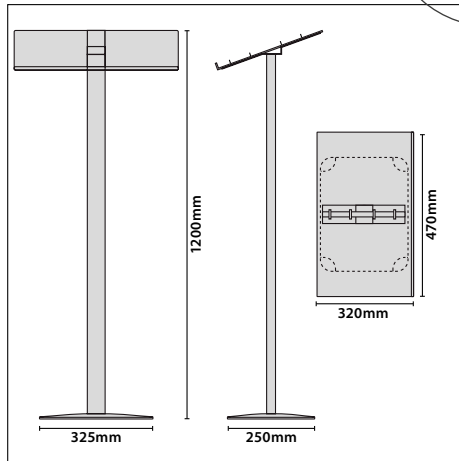


	QTY	N.W(kg)	G.W(kg)	C.B.M.	Size(mm)
Packing	1	4.3	4.7	0.010	500x330x65
		1.15	1.3	0.002	1070x65x40

10.984 **Metalic**

Packing	1	2.75	3	0.010	500x330x65
		1.15	1.3	0.002	1070x65x40

10.983 **Acrylic**



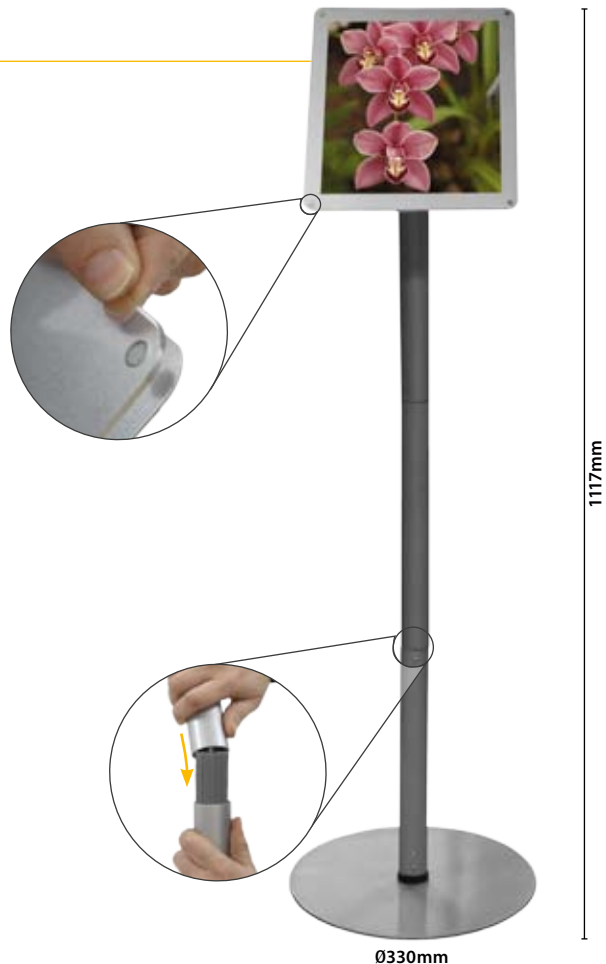
Tomar



Allows signage to be displayed either portrait or landscape. Holds signage up to 8 1/2" W x 11" H (216 x 279mm). Rear pocket holds additional literature. Clear magnetic sign panel makes signage changes easy. No tools required for assembly. Weighted steel base.

Material: Aluminium, steel, plastic parts.

13.102 **216x279mm**



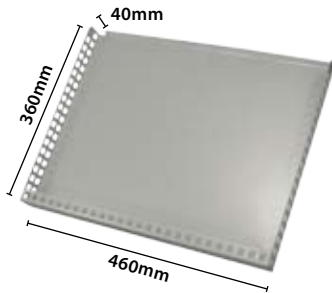
MENU BOARD

3

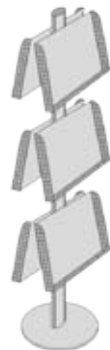
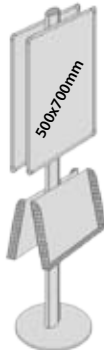
Combi

Diferent possibility for aluminium stand. Easy to assembly.

Material: Aluminium, steel, plastic parts.



1900mm



10.479 Combi One - 1

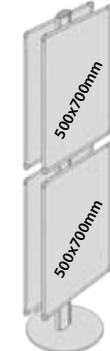
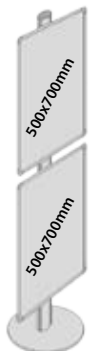
10.485 Combi Two - 1

10.483 Combi Three - 1

10.480 Combi One - 2

10.486 Combi Two - 2

10.484 Combi Three - 2



10.481 Combi Four - 1

10.487 Combi Mix - 1

10.489 Combi Frame - 1

10.482 Combi Four - 2

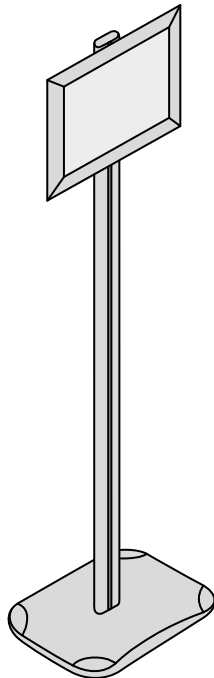
10.488 Combi Mix - 2

10.490 Combi Frame - 2

Melgar

Showcard stand, can exhibit one or two graphics vertical or horizontal.

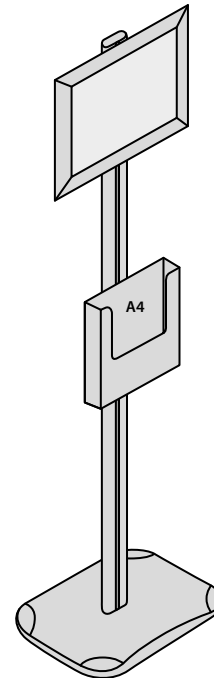
Material: Aluminium, plastic parts.



12

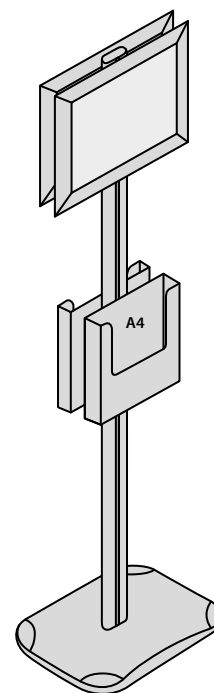
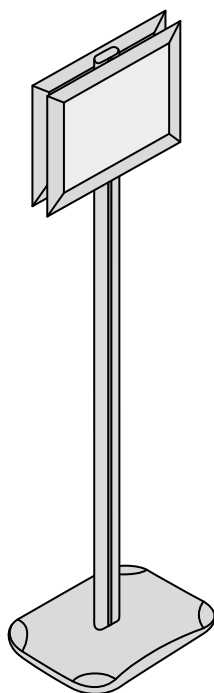


25mm



10.344	A4		
10.579	A3		

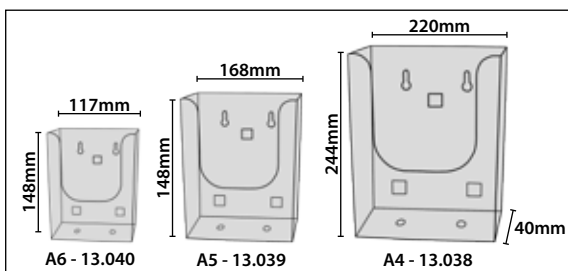
10.349	A4	x1 - A4	
10.583	A3	x1 - A4	



10.345	A4		
10.580	A3		

10.549	A4	x2 - A4	
10.584	A3	x2 - A4	

7 Single Wall-Mounted Dispenser

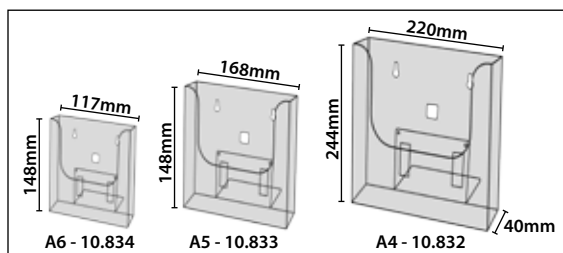


Single wall-mounted or desk dispenser. Colour: Transparent. Sizes: A4, A5 and A6.

Material: Polystyrol.

13.038	A4	Pack 10 Uni.	
13.039	A5	Pack 10 Uni.	
13.040	A6	Pack 10 Uni.	

Single Wall-Mounted or Desk Dispenser

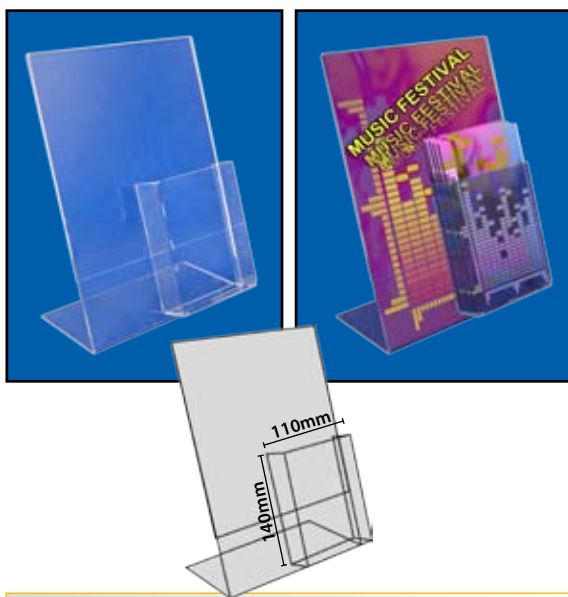


With 2 screw holes for wall-mounting and attachment for standing. Colour: Transparent. Sizes: A4, A5 and A6.

Material: Polystyrol.

10.832	A4	Pack 10 Uni.	
10.833	A5	Pack 10 Uni.	
10.834	A6	Pack 10 Uni.	

Leaflet Dispenser

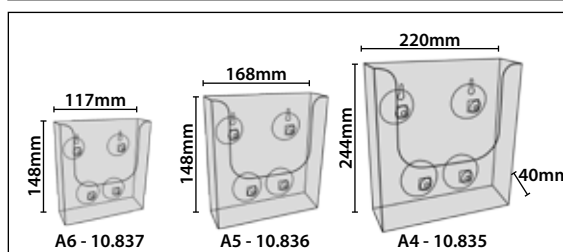


L-display with 1/3 A4 leaflet dispenser adhered to right. Colour: transparent. Material: 3mm acrylic for A3 and 2mm acrylic for A4.

Material: Acrylic.

13.041	A3	Pack 5 Uni.	
13.042	A4	Pack 5 Uni.	

Wall-Mounted Dispenser with Suction

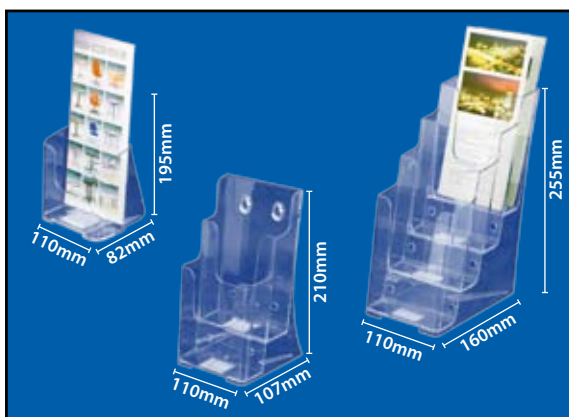


Single wall-mounted dispenser with suction cup. Colour: transparent. Sizes: A4, A5 and A6.

Material: Polystyrol.

10.835	A4	Pack 10 Uni.	
10.836	A5	Pack 10 Uni.	
10.837	A6	Pack 10 Uni.	

Literature Holder

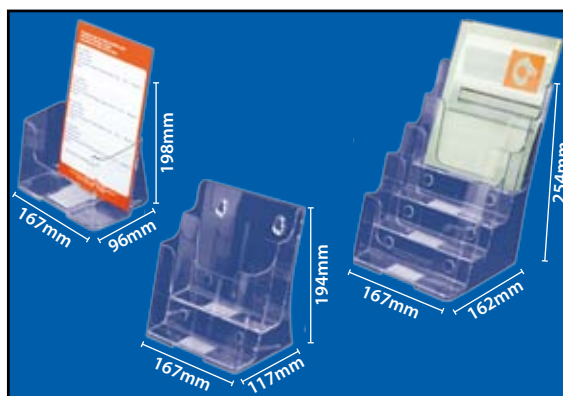


Literature holder for countertop or wallmount use. Size 1/3 A4.

Material: Polystyrol.

13.103	1x1/3 A4	Pack 6 Uni.	<input type="checkbox"/>	
13.104	2x1/3 A4	Pack 6 Uni.	<input type="checkbox"/>	
13.105	4x1/3 A4	Pack 4 Uni.	<input type="checkbox"/>	

Literature holder

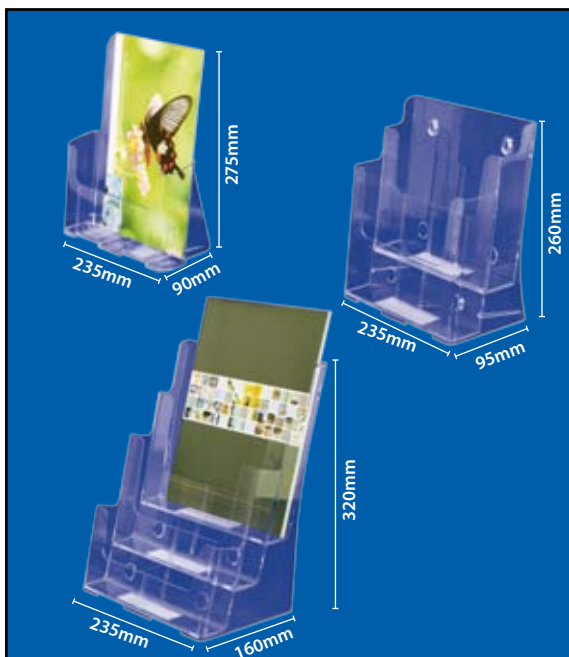


Literature holder for countertop or wallmount use. Size A5.

Material: Polystyrol.

13.106	1xA5	Pack 8 Uni.	<input type="checkbox"/>	
13.107	2xA5	Pack 5 Uni.	<input type="checkbox"/>	
13.108	4xA5	Pack 4 Uni.	<input type="checkbox"/>	

Literature Holder

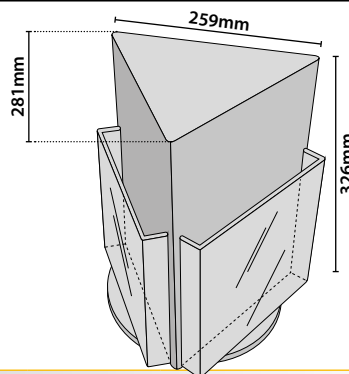


Literature holder for countertop or wallmount use. Size A4.

Material: Polystyrol.

13.109	1xA4	Pack 7 Uni.	<input type="checkbox"/>	
13.110	2xA4	Pack 4 Uni.	<input type="checkbox"/>	
13.111	3xA4	Pack 2 Uni.	<input type="checkbox"/>	

Literature Holder for Countertop

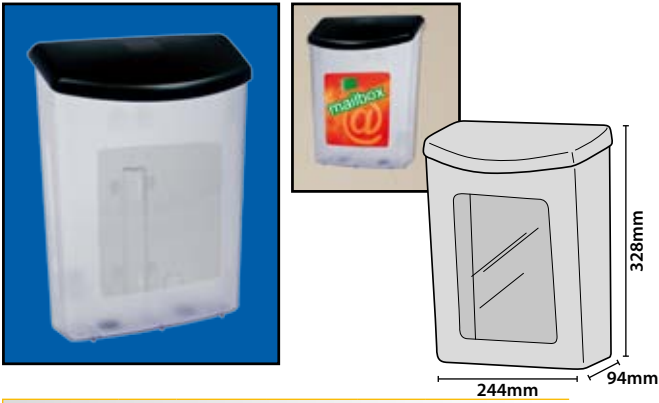


Rotating literature holders. Three-sided units have clear pockets for easy viewing. Colours: Black or white. Size A4.

Material: Polystyrol.

13.115	<input type="checkbox"/>	A4 - White	<input type="checkbox"/>
13.116	<input checked="" type="checkbox"/>	A4 - Black	<input type="checkbox"/>

Outdoor Literature Box



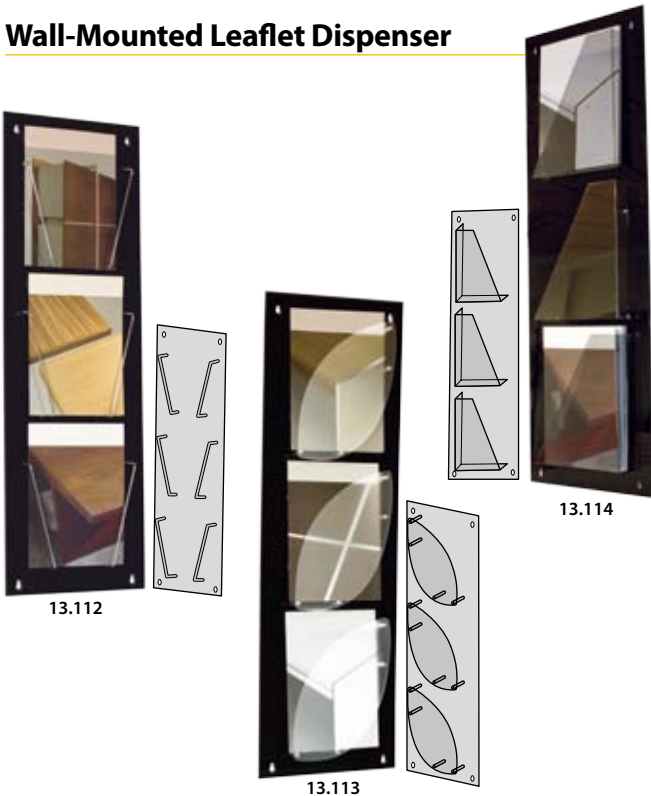
Break-resistant and weatherproof. Fits a variety of poles and post. Clear box with black lid.

Material: Polystyrol.

	QTY	N.W(kg)	G.W(kg)	C.B.M.	Size(mm)
Uni.	1	0.6	0.8	0.013	270x350x140

13.125

Wall-Mounted Leaflet Dispenser



Wall mount literature display. Pockets are preassembled to a black back panel. Size A4.

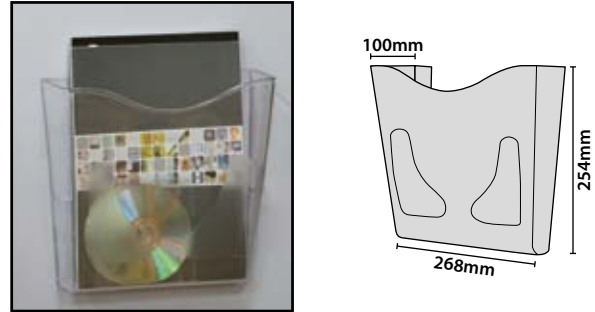
Material: Polystyrol.

13.112	A4 "Line"	320x1009mm	
13.113	A4 "Oval"	320x1009mm	
13.114	A4 "Flash"	320x1009mm	

Wall Pocket Landscape or Portrait

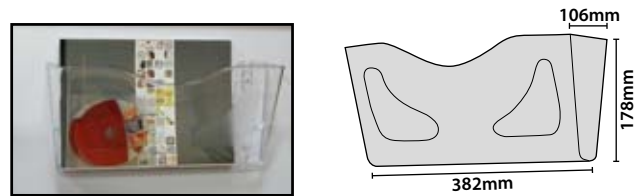
Wall pocket landscape or portrait. Size A4.

Material: Polystyrol.



	QTY	N.W(kg)	G.W(kg)	C.B.M.	Size(mm)
Uni.	1	0.32	0.52	0.008	270x270x115

13.126



	QTY	N.W(kg)	G.W(kg)	C.B.M.	Size(mm)
Uni.	1	0.3	0.5	0.009	405x200x115

13.127

Wall-Mounted Leaflet Dispenser

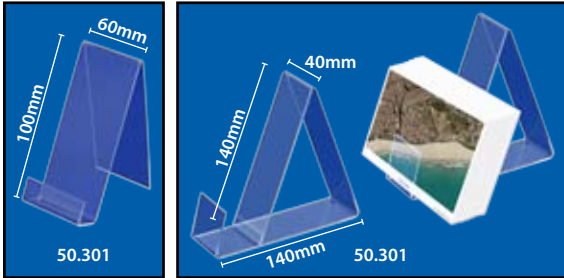
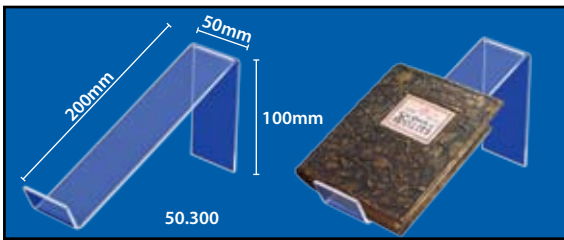


Wall-mounted leaflet dispenser. For 3x A4 leaflets. For 4x A5 leaflets.

Material: Polystyrol.

13.044	3x A4	
13.045	4x A5	

Acrylic Easel

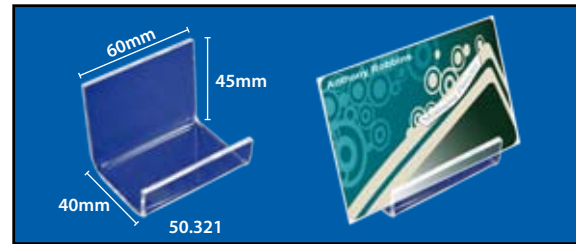
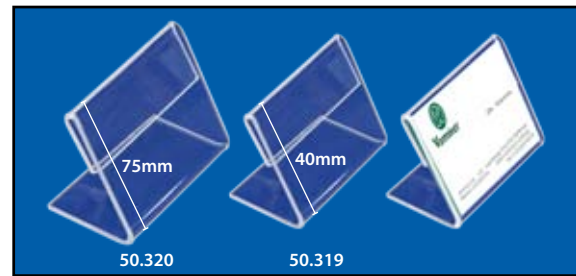


Acrylic easel. 2mm.

Material: Acrylic.

50.300	200x50mm	Pack 5 Uni.	<input type="text"/>
50.301	100x60mm	Pack 5 Uni.	<input type="text"/>
50.302	140x40mm	Pack 5 Uni.	<input type="text"/>

Acrylic Business Card Holders



Acrylic business card holders. 2mm.

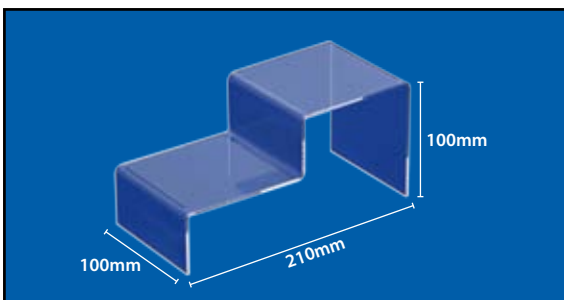
Material: Acrylic.

50.319	50x40mm	Pack 10 Uni.	<input type="text"/>
50.320	105x75mm	Pack 10 Uni.	<input type="text"/>
50.321	60x45x40mm	Pack 10 Uni.	<input type="text"/>

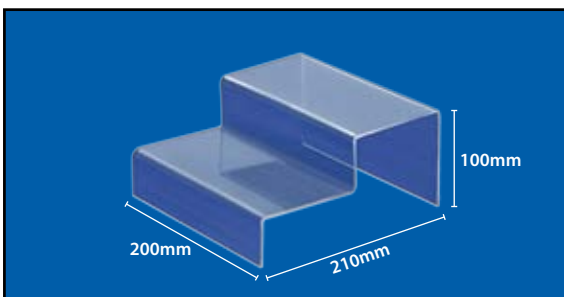
Acrylic Narrow 2 Steps Stand

Acrylic narrow 2 steps stand. 3mm.

Material: Acrylic.



50.306	100x100x210mm	Pack 5 Uni.	<input type="text"/>
--------	---------------	-------------	----------------------

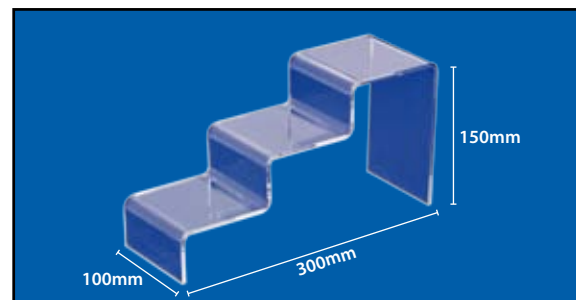


50.307	200x100x210mm	Pack 5 Uni.	<input type="text"/>
--------	---------------	-------------	----------------------

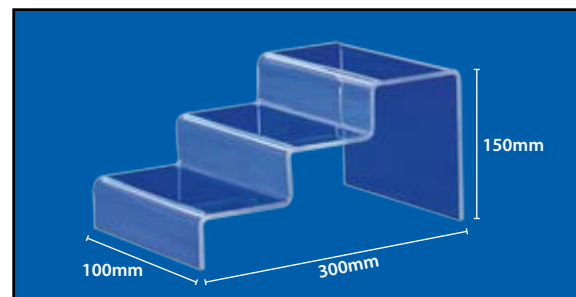
Acrylic Narrow 3 Steps Stand

Acrylic narrow 3 steps stand. 3mm.

Material: Acrylic.

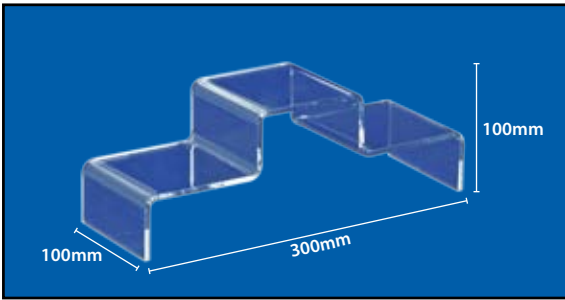


50.304	100x150x300mm	Pack 5 Uni.	<input type="text"/>
--------	---------------	-------------	----------------------



50.305	200x150x300mm	Pack 5 Uni.	<input type="text"/>
--------	---------------	-------------	----------------------

Acrylic Narrow Podium



Acrylic narrow podium. 3mm.

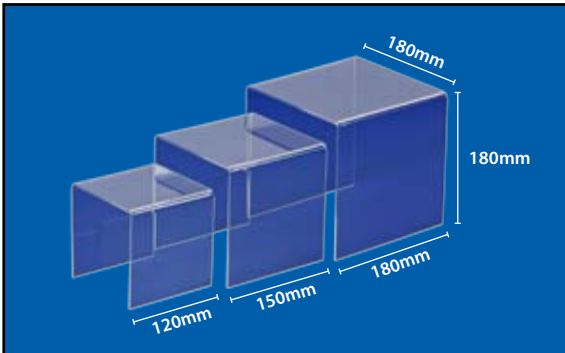
Material: Acrylic.

50.303 100x100x300mm Pack 5 Uni.

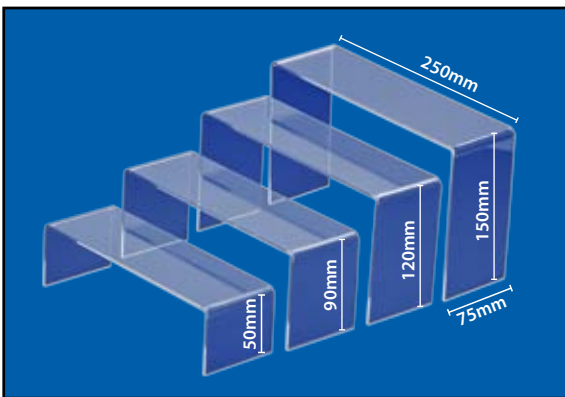
Acrylic U-Shaped Stand

Set of 3 or 4 U-shaped acrylic stand. 3mm

Material: Acrylic.



50.309 180x180x180mm Set of 3

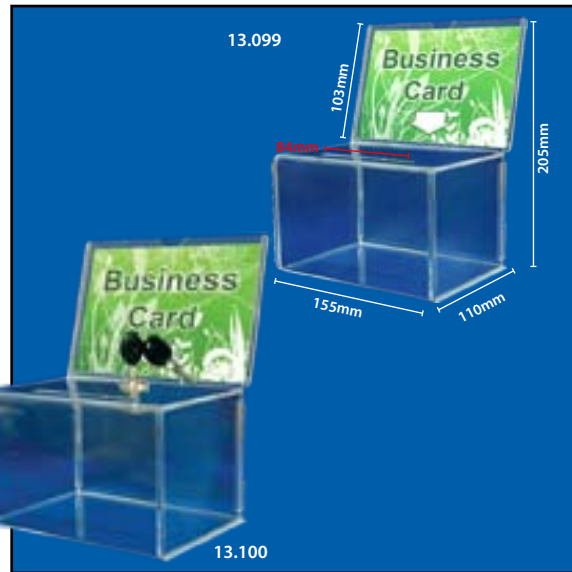


50.308 250x150x75mm Set of 4

Coin Box

Coin box sign holder. Available with locker or without lock.

Material: Acrylic.

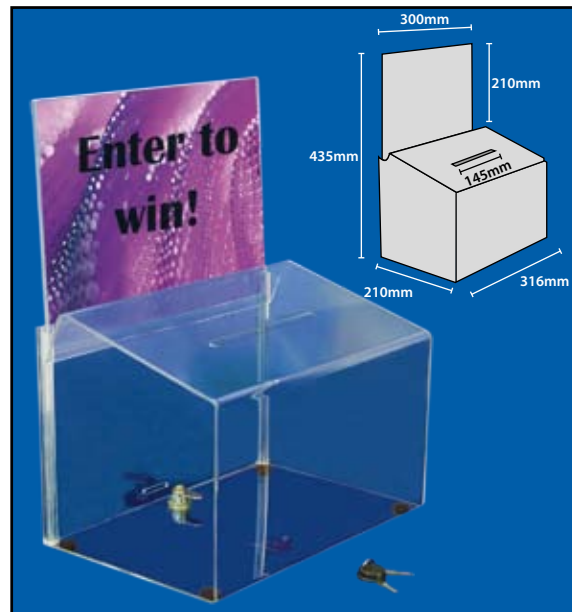


	QTY	N.W(kg)	G.W(kg)	C.B.M.	Size(mm)
Uni.	1	0.36	0.56	0.005	175x220x130

13.099 Graphic size: 150x100mm

	QTY	N.W(kg)	G.W(kg)	C.B.M.	Size(mm)
Uni.	1	0.32	0.52	0.005	175x220x130

13.100 Graphic size: 150x100mm



	QTY	N.W(kg)	G.W(kg)	C.B.M.	Size(mm)
Uni.	1	1.7	1.9	0.022	330x290x240

13.124 Graphic size: 300x210mm



Acrylic Hinge 200mm

Acrylic hinge 200mm length. Colour: transparent.

Material: Acrylic.

10.943 Pack 20 Uni.

Acrylic Hinge 100mm

Acrylic hinge 100mm length. Colour: transparent.

Material: Acrylic.

10.944 Pack 20 Uni.

Acrylic Hinge 65mm

Acrylic hinge 65mm length. Colour: transparent.

Material: Acrylic.

10.945 Pack 20 Uni.

Acrylic Hinge 45mm

Acrylic hinge 45mm length. Colour: transparent.

Material: Acrylic.

10.946 Pack 20 Uni.

Acrylic Hinge 30mm

Acrylic hinge 30mm length. Colour: transparent.

Material: Acrylic.

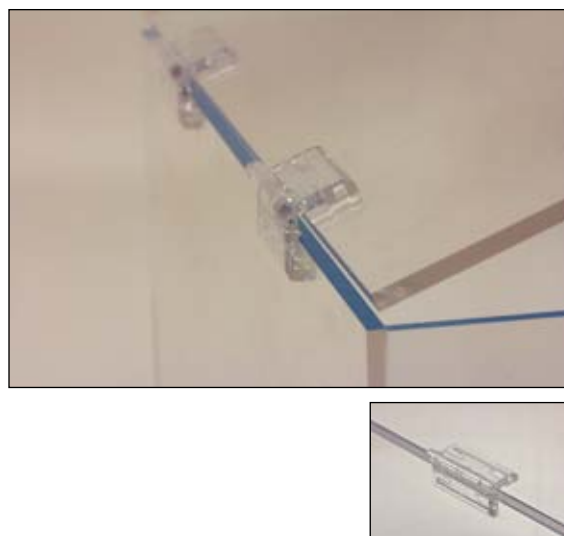
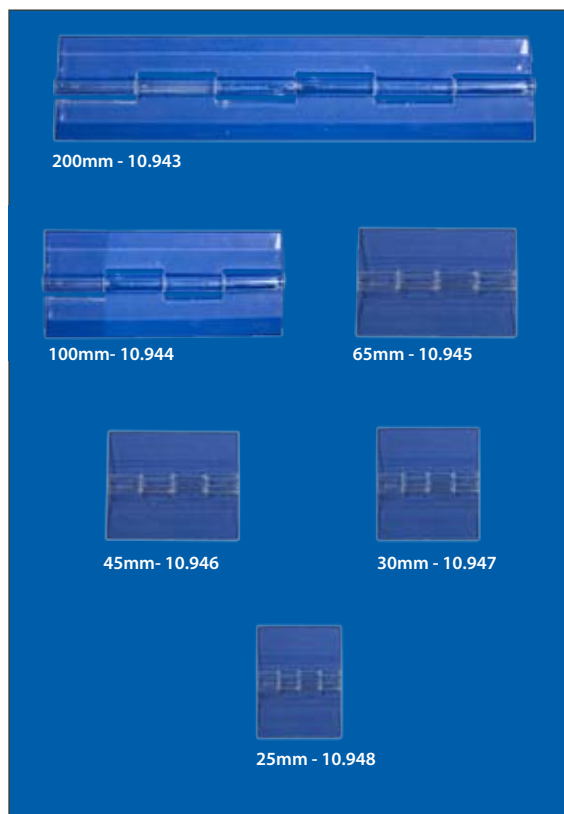
10.947 Pack 20 Uni.

Acrylic Hinge 25mm

Acrylic hinge 25mm length. Colour: transparent.

Material: Acrylic.

10.948 Pack 20 Uni.



Acrylic Hanger 2 Pieces



Acrylic hanger 2 pieces. Colour: transparent.

Material: Acrylic.

10.949 Pack 20 Uni.

Acrylic Hanger



Acrylic hanger. Colour: transparent.

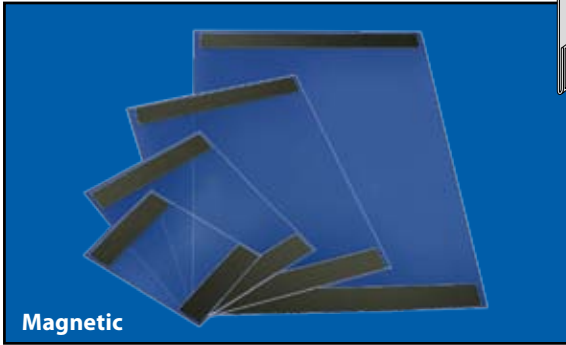
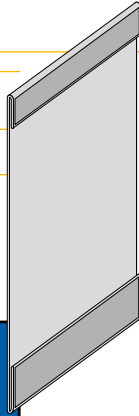
Material: Acrylic.

10.950 22x25mm Pack 20 Uni.

Adhesive or Magnetic Showcard

Adhesive or magnetic showcard c-pocket PVC. Colour: transparent.
Size: A3, A4, A5 and A6.

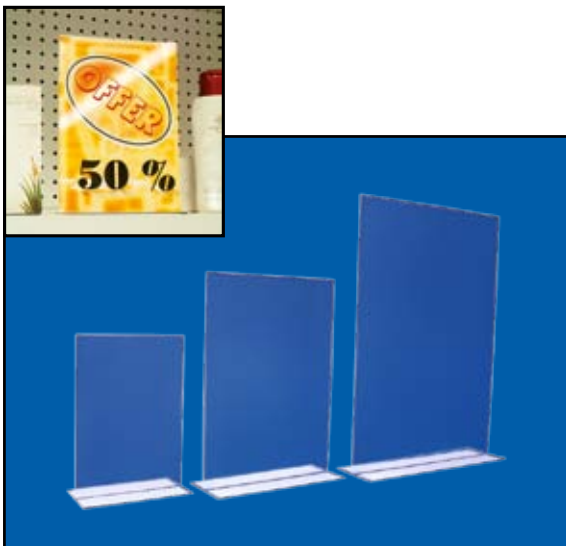
Material: PVC.



13.052	A3	Pack 10 Uni.	<input type="text"/>
13.053	A4	Pack 10 Uni.	<input type="text"/>
13.054	A5	Pack 10 Uni.	<input type="text"/>
13.055	A6	Pack 10 Uni.	<input type="text"/>

13.064	A3	Pack 10 Uni.	<input type="text"/>
13.065	A4	Pack 10 Uni.	<input type="text"/>
13.066	A5	Pack 10 Uni.	<input type="text"/>
13.067	A6	Pack 10 Uni.	<input type="text"/>

Leaflet Dispenser "T"



Leaflet dispenser. With magnetic strip. Sizes: A4, A5 and A6.

Material: PVC.

13.046	A4	Pack 10 Uni.	<input type="text"/>
13.047	A5	Pack 10 Uni.	<input type="text"/>
13.048	A6	Pack 10 Uni.	<input type="text"/>

Leaflet Dispenser "L"



Leaflet dispenser. With magnetic strip. Sizes: A4, A5 and A6.

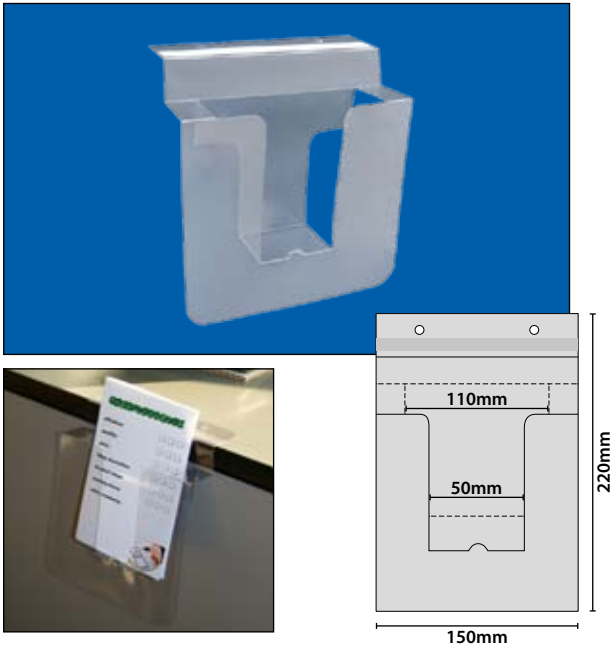
Material: PVC.

13.049	A4	Pack 10 Uni.	<input type="text"/>
13.050	A5	Pack 10 Uni.	<input type="text"/>
13.051	A6	Pack 10 Uni.	<input type="text"/>

Leaflet Dispenser

Leaflet dispenser for shelves with adhesive strip. Easy and fast to assemble. Packing: 10 units.

Material: Transparent PVC 0.6mm.



Leaflet dispenser. For adhering to shelves, adhesive strip on one side. Colour: transparent. Format: A6 portrait.

Material: PVC.

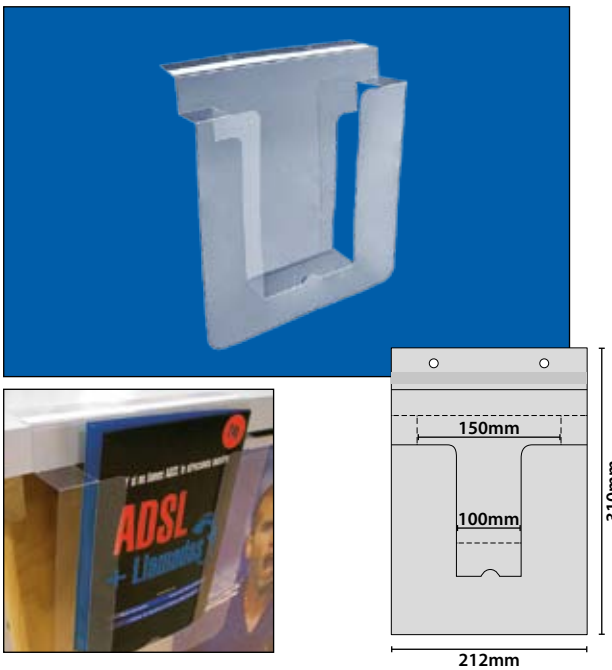
13.060 150x220mm Pack 10 Uni.



Leaflet dispenser. For adhering to shelves, adhesive strip on one side. Colour: transparent. Format: A6 landscape.

Material: PVC.

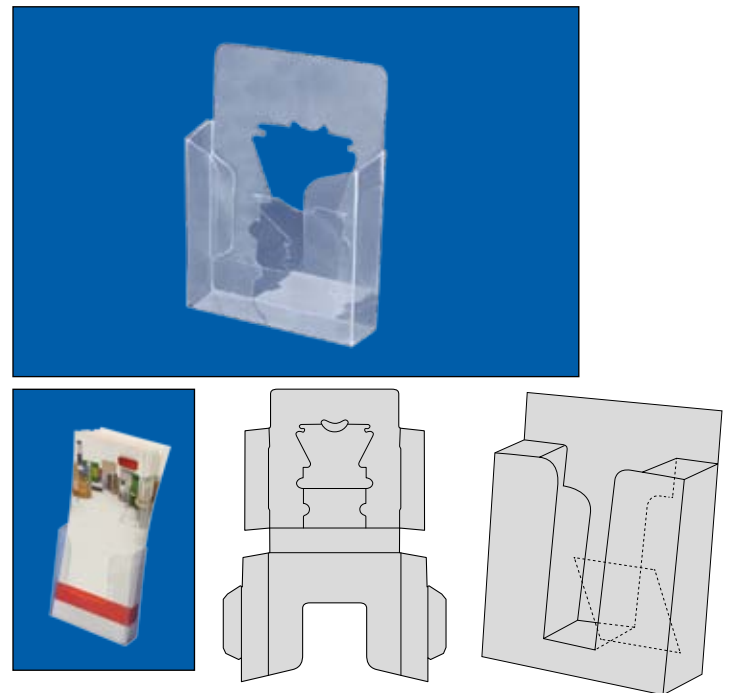
13.061 195x207mm Pack 10 Uni.



Leaflet dispenser. For adhering to shelves, adhesive strip on one side. Colour: transparent. Format: A5 portrait.

Material: PVC.

13.062 212x310mm Pack 10 Uni.



Leaflet dispenser. Easy to assemble. Format: A6 portrait.

Material: PVC.

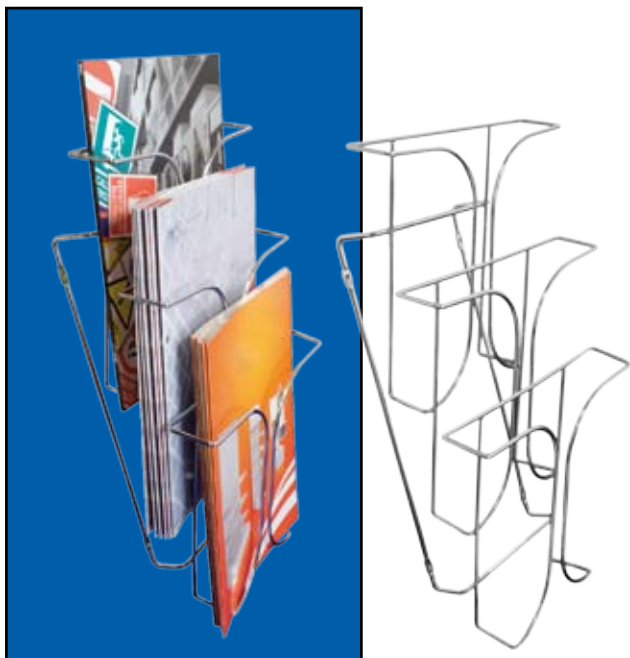
13.063 106x140mm Pack 10 Uni.

WIRE LEAFLET DISPENSER

7 Chromed Leaflet Dispenser

Leaflet holder. Chromed metal literature holders. Rubber feet protect countertop surfaces.

Material: Chromed wire, rubber.



	QTY	N.W(kg)	G.W(kg)	C.B.M.	Size(mm)
Uni.	1	0.65	0.85	0.027	270x450x230

13.118 **3xA4**



	QTY	N.W(kg)	G.W(kg)	C.B.M.	Size(mm)
Uni.	1	0.35	0.55	0.010	270x270x150

13.117 **1xA4**



	QTY	N.W(kg)	G.W(kg)	C.B.M.	Size(mm)
Uni.	1	0.60	0.80	0.015	270x295x200

13.120 **4x 1/3 A4**



	QTY	N.W(kg)	G.W(kg)	C.B.M.	Size(mm)
Uni.	1	0.70	0.90	0.029	270x470x230

13.119 **3xA4**



	QTY	N.W(kg)	G.W(kg)	C.B.M.	Size(mm)
Uni.	1	0.25	0.45	0.004	135x220x140

13.121 **1/3 A4**

Sagres



Brochure stand for A4 brochures made with a heavy foot. The shelf is made of strong Polycarbonate or Steel. Height: 1000mm.

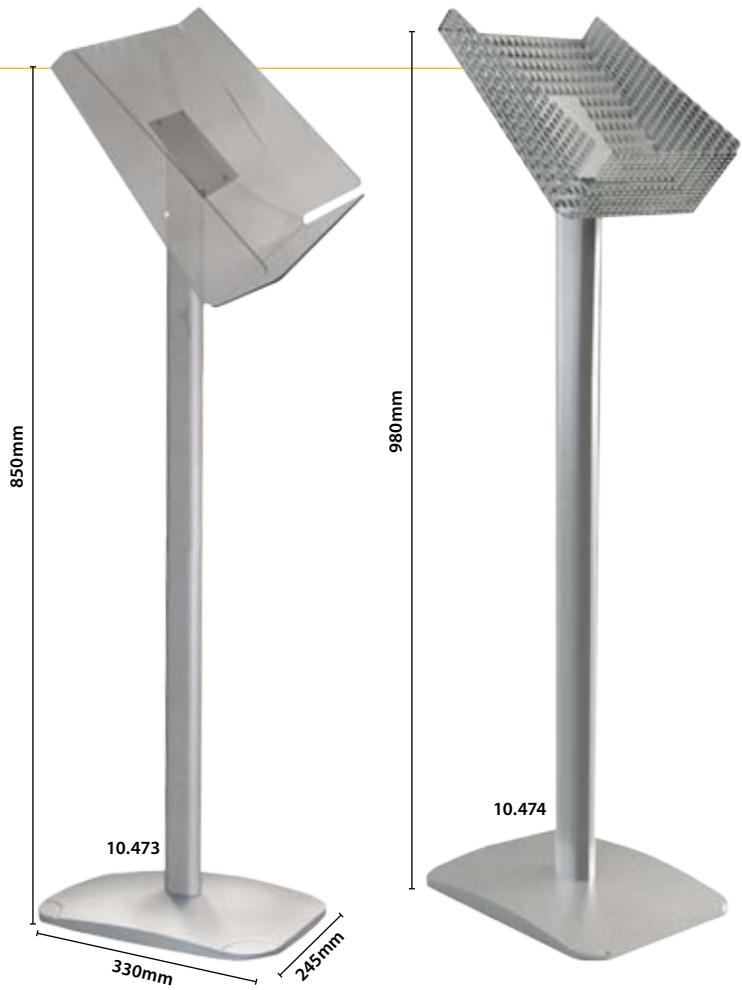
Material: Aluminium, acrylic.

	QTY	N.W(kg)	G.W(kg)	C.B.M.	Size(mm)
Packing	1	2.9	3.6	0.032	910x295x120

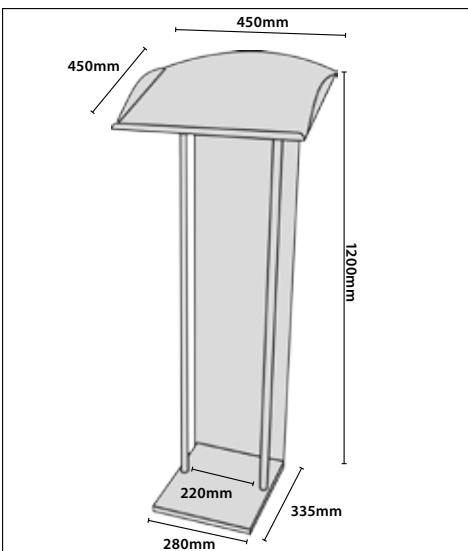
10.473 Acrylic

	QTY	N.W(kg)	G.W(kg)	C.B.M.	Size(mm)
Packing	1	2.4	3.45	0.032	910x295x120

10.474 Steel



Bari



Catalogue display for A4 portrait brochures. Colour: Grey.

Material: Steel.

	QTY	N.W(kg)	G.W(kg)	C.B.M.	Size(mm)
Packing	1	8.6	11	0.312	500x500x1250

10.219



Vegas



Foldable brochure stand. Lightweight design. 4 x A4 clear acrylic portrait pockets.

Material: Steel, acrylic.

10.048 **Height: 1550mm**

Sahagun



Foldable brochure stand. Lightweight design in aluminium. Quick and easy to unfold. Includes alu suitcase. Available in acrylic or wood.

Material: Aluminium, steel, acrylic, wood.

10.047 **Acrylic - Height: 1500mm**

10.974 **Wood - Height: 1500mm**

Soubran



Folding brochure stand, steel structure, five A4 shelves. The bottom can be use to place a graphic.

Material: Steel.

10.416 **Height: 1420mm**

Lorca



Folding brochure stand, 4 x A4 shelves. The bottom can be use to place a graphic. Available in 3 differents colours.

Material: Steel, acrylic, plastic.

10.669 **Height: 1420mm**

10.670 **Height: 1420mm**

10.671 **Height: 1420mm**

Legnica



Foldable brochure stand. Lightweight design in steel and plastic.

Material: Steel, plastic.

10.114



LCD Torun



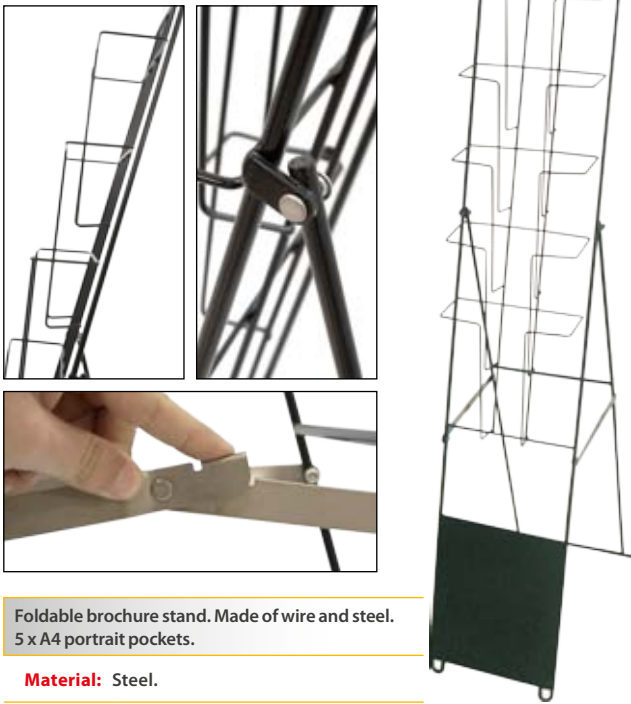
Foldable LCD brochure stand. 4 x A4 shelves. Includes a high brightness color 7" LCD screen.

Material: Aluminium, plastic.

10.149



Mentrida



Foldable brochure stand. Made of wire and steel. 5 x A4 portrait pockets.

Material: Steel.

10.720 **Height: 1460mm**

Bañeza

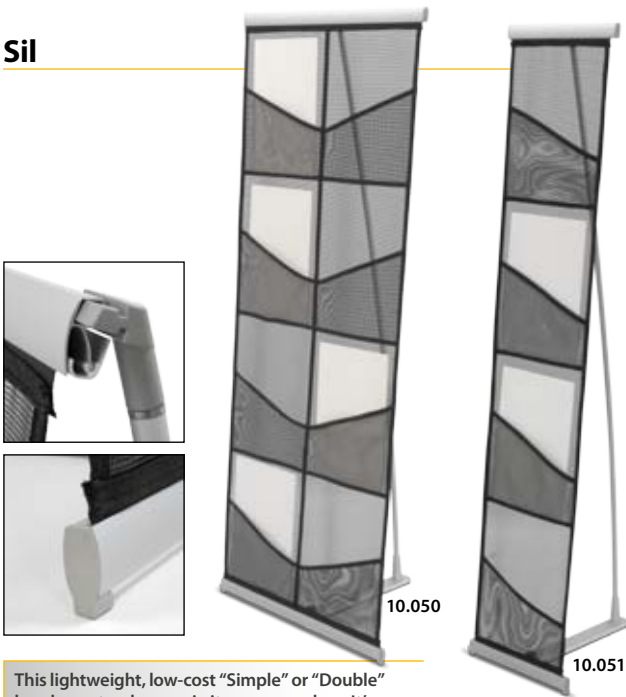


Brochure stand. Made of wire and steel. It has seven portrait pockets, size A4.

Material: Steel.

10.044 **280x1360mm**

Sil



This lightweight, low-cost "Simple" or "Double" brochure stand comes in its own carry bag. It's easy to erect and very lightweight so carrying to and from exhibition is no problem. Height: 1360mm.

Material: Aluminium, steel, acrylic, wood.

10.050 **Double**

10.051 **Single**



Nelas



Wire brochure holder with wheels. Shape: A4.

Material: Steel, plastic.

13.101 **1400mm**

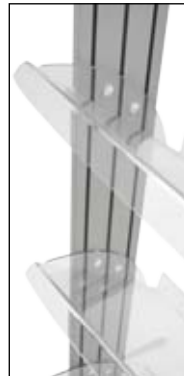
BROCHURE STAND

3

Verona

Brochure stand with four A4 acrylic shelves with a width of 275mm. For 4x A4 (10.217) or 12x A4 (12.218). Includes rotating wheels, easy to assemble. Size: 340x1665x380mm (10.217) - 815x1665x380mm (10.218).

Material: Aluminium, acrylic, plastic parts.



	QTY	N.W(kg)	G.W(kg)	C.B.M.	Size(mm)
Packing	1	3	3.95	0.030	430x420x170
		4.45	5	0.018	145x80x1620



10.217

147x255mm

* Printing

	QTY	N.W(kg)	G.W(kg)	C.B.M.	Size(mm)
Packing	1	6.8	7.85	0.071	900x430x185
		4.45	5	0.018	145x80x1620

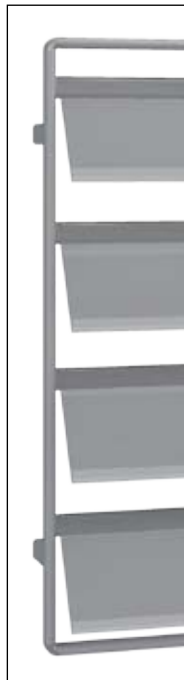
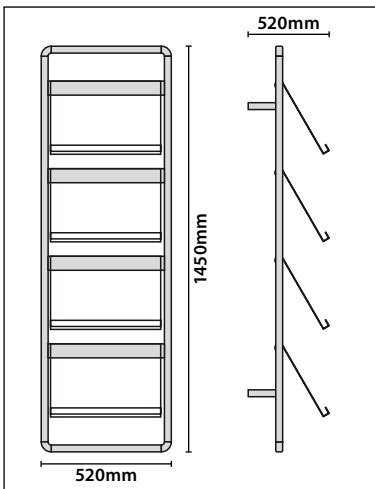


10.218

147x730mm

* Printing

Athy

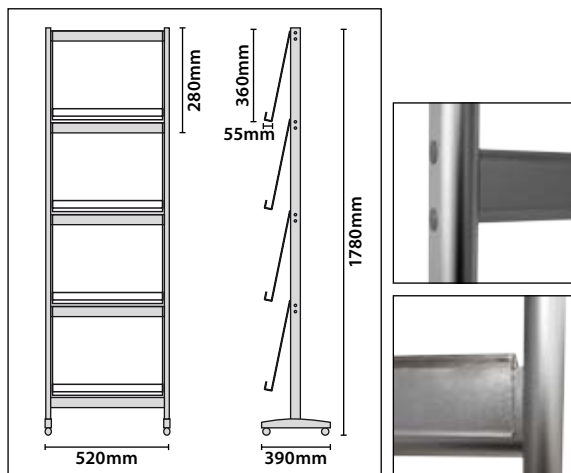


Wall-Mounted leaflet dispenser. Used for 8 x A4.

Material: Aluminium, acrylic.

10.988

Cañamo



Single side brochure stand. Designed for 8 x A4 brochures. The legs are made of aluminium. Size: 620x1770x390mm.

Material: Aluminium, acrylic.

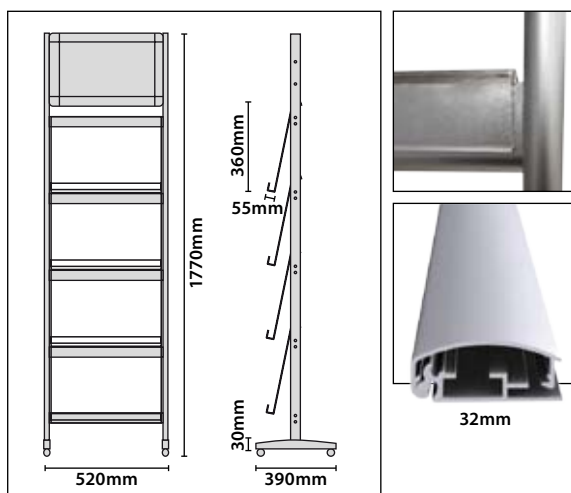
	QTY	N.W(kg)	G.W(kg)	C.B.M.	Size(mm)
Packing	1	7.3	9	0.048	410x165x720
		6.45	8.05	0.077	630x70x1750



10.468



Abad



Single side brochure stand with "click" frame. Designed for 8 x A4 brochures. The legs are made of aluminium. Size: 620x1770x390mm.

Material: Aluminium, acrylic.

	QTY	N.W(kg)	G.W(kg)	C.B.M.	Size(mm)
Packing	1	7.3	9	0.048	410x165x720
		6.45	8.05	0.077	630x70x1750



10.467

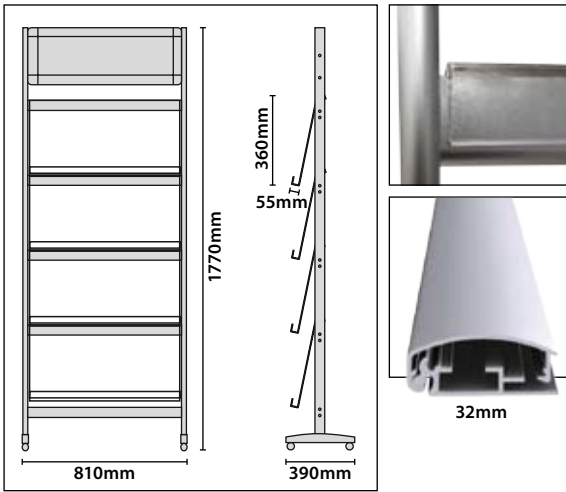
460x260mm
*Printing



BROCHURE STAND

3

Sotillo



Single side brochure stand with "click" frame. Designed for 12 x A4 brochures. The legs are made of aluminium. Size: 810x1770x390mm.

Material: Aluminium, acrylic.

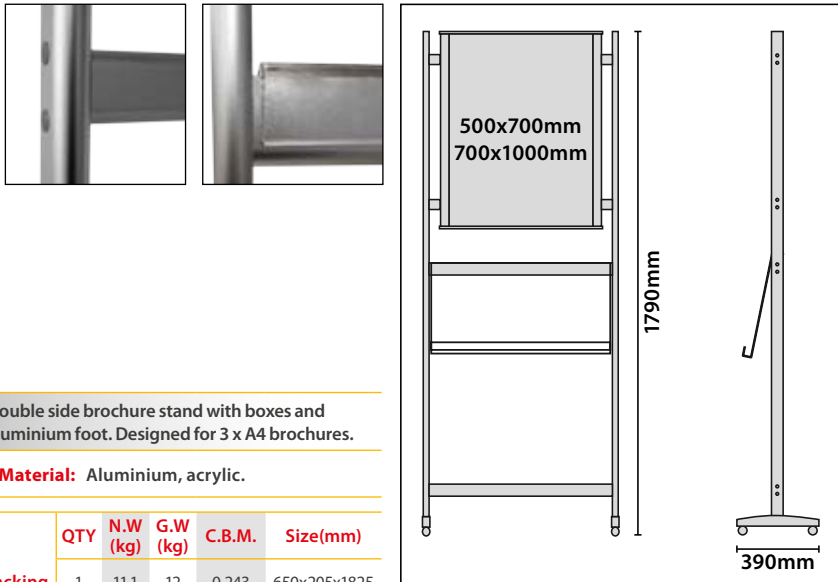
	QTY	N.W(kg)	G.W(kg)	C.B.M.	Size(mm)
Packing	1	9	10.5	0.062	410x165x920
		7.35	9.35	0.101	830x70x1750



10.469 **675x195mm**

* Printing

Olmedilla



Double side brochure stand with boxes and aluminium foot. Designed for 3 x A4 brochures.

Material: Aluminium, acrylic.

	QTY	N.W (kg)	G.W (kg)	C.B.M.	Size(mm)
Packing	1	11.1	12	0.243	650x205x1825

10.472 **500x700mm**

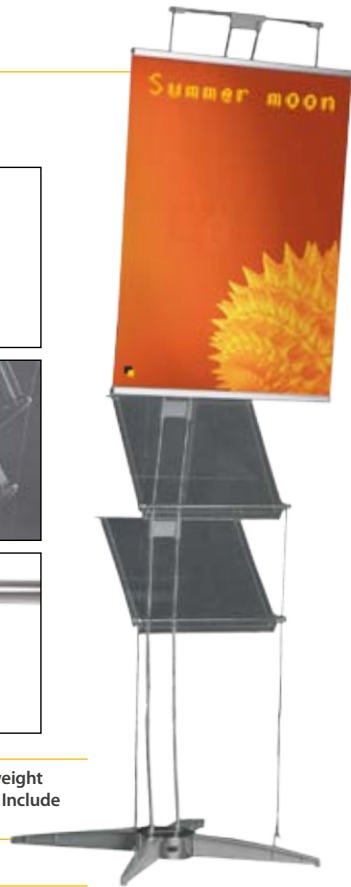
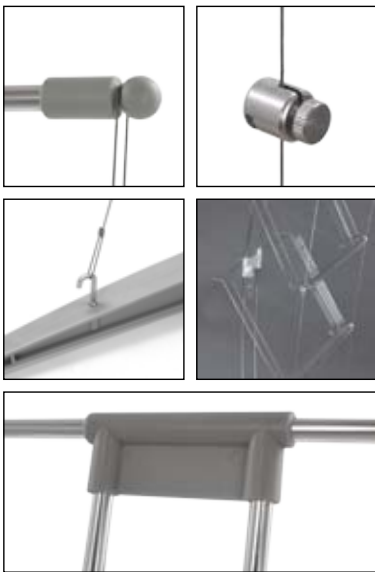


	QTY	N.W (kg)	G.W (kg)	C.B.M.	Size(mm)
Packing	1	17	18.5	0.372	850x240x1825

10.273 **1000x700mm**



Alar



Foldable brochure stand one side. Lightweight design with clear acrylic portrait pockets. Include nylon carry bag.

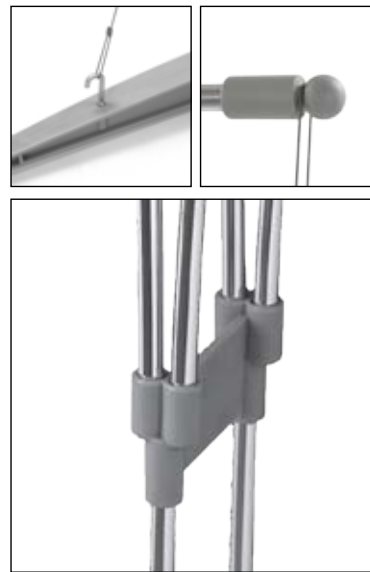
Material: Aluminium, acrylic.

10.771

600x800mm



Mansilla



Foldable brochure stand double side. Lightweight design with clear acrylic portrait pockets. Include nylon carry bag.

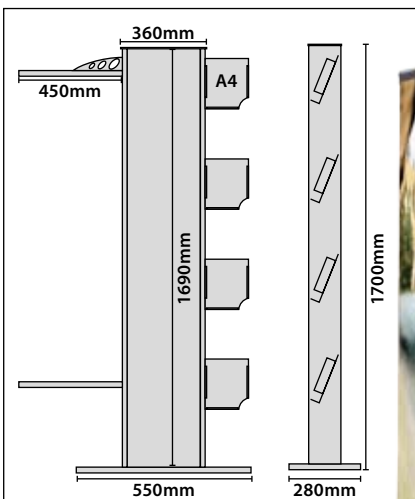
Material: Aluminium, acrylic.

10.772

600x800mm x2



Cañada



Double side brochure stand with lightboxes and poster clamp. Designed for 4 x A4 brochures. Size: 820x1700x280mm.

Material: Aluminium, steel, acrylic.

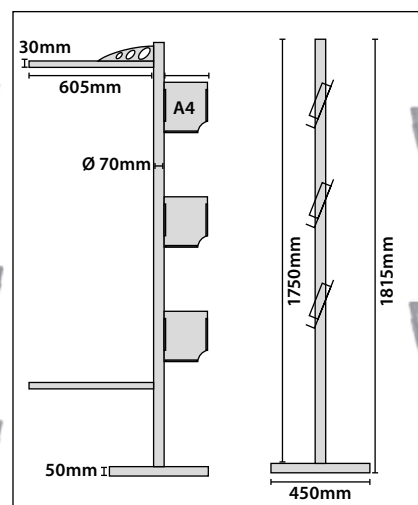
	QTY	N.W (kg)	G.W (kg)	C.B.M.	Size(mm)
Packing	1	18.5	19.7	0.375	625x345x1740

10.470

Totem 324x1685mm
Poster 430x1100mm



Hito



Single side brochure stand with lightboxes and poster clamp. Designed for 3 x A4 brochures. Size: 880x1815x450mm.

Material: Aluminium, steel, acrylic.

10.471

600x1500mm

